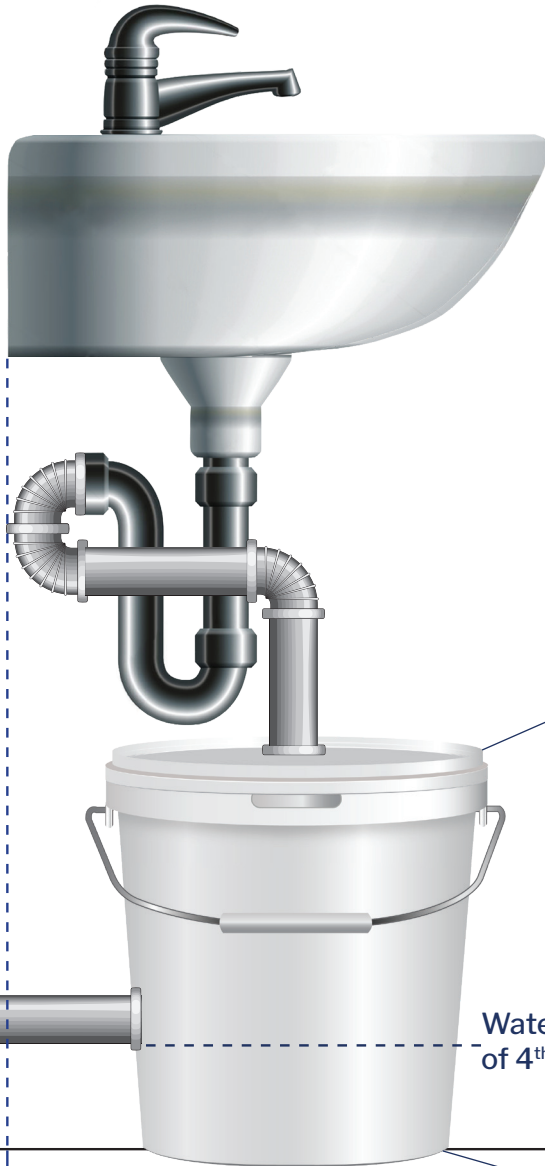


CAPE PRECIOUS METALS

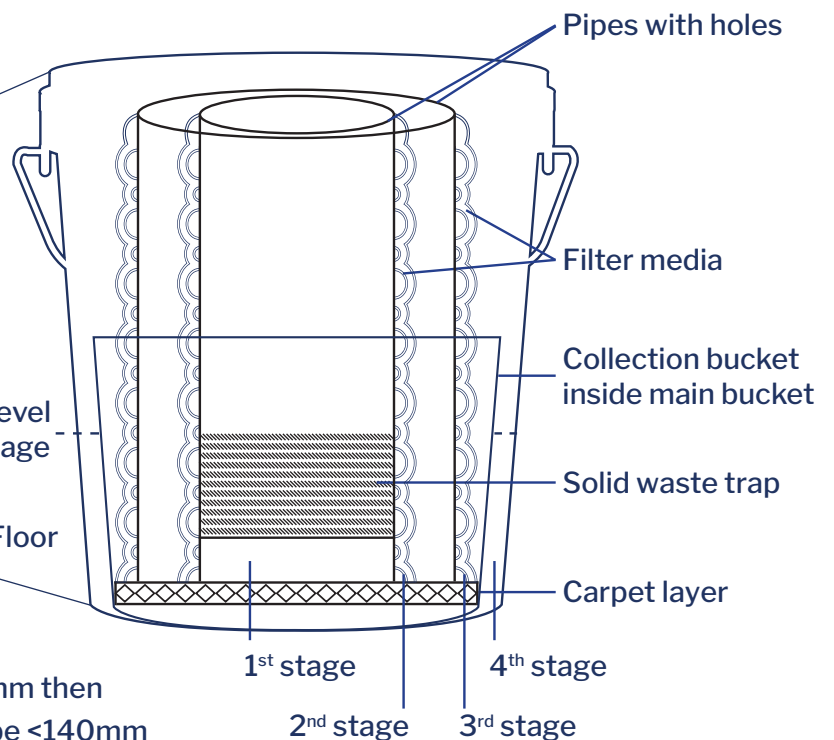
THE FULL RANGE OF GOODS & SERVICES BACKED UP BY EXPERT PRODUCT KNOWLEDGE

DIY JEWELLER'S BASIN TRAP

Domestic kitchen waste is not recommended



- Waste water and solids go into 1st stage catchment first
- Then fine particles filter through media to 2nd stage
- After 2nd stage, finer particles get caught in 3rd stage
- 4th stage is the last stage
- Carpet placed at the bottom of the trap helps collect small pieces in the system



Vertical basin height to floor

Basin floor height 700-650mm

if the basin height minimum height is 550mm then

vertical basin exit waste pipe height must be <140mm

40mm waste exit

Vertical basin line waste pipe height ≤260mm



CAPE TOWN:

+27 (0)21 551 2066

JOHANNESBURG:

+27 (0)11 334 6263

DURBAN

+27 (0)31 303 5402

PORT ELIZABETH:

+27 (0)41 365 1890

capepreciousmetals.co.za • orders@capepreciousmetals.co.za •  CapePreciousMetals